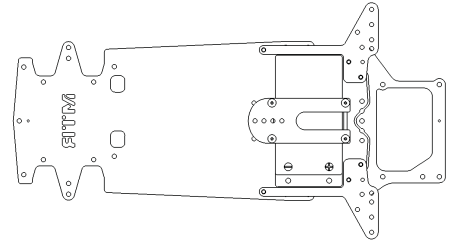
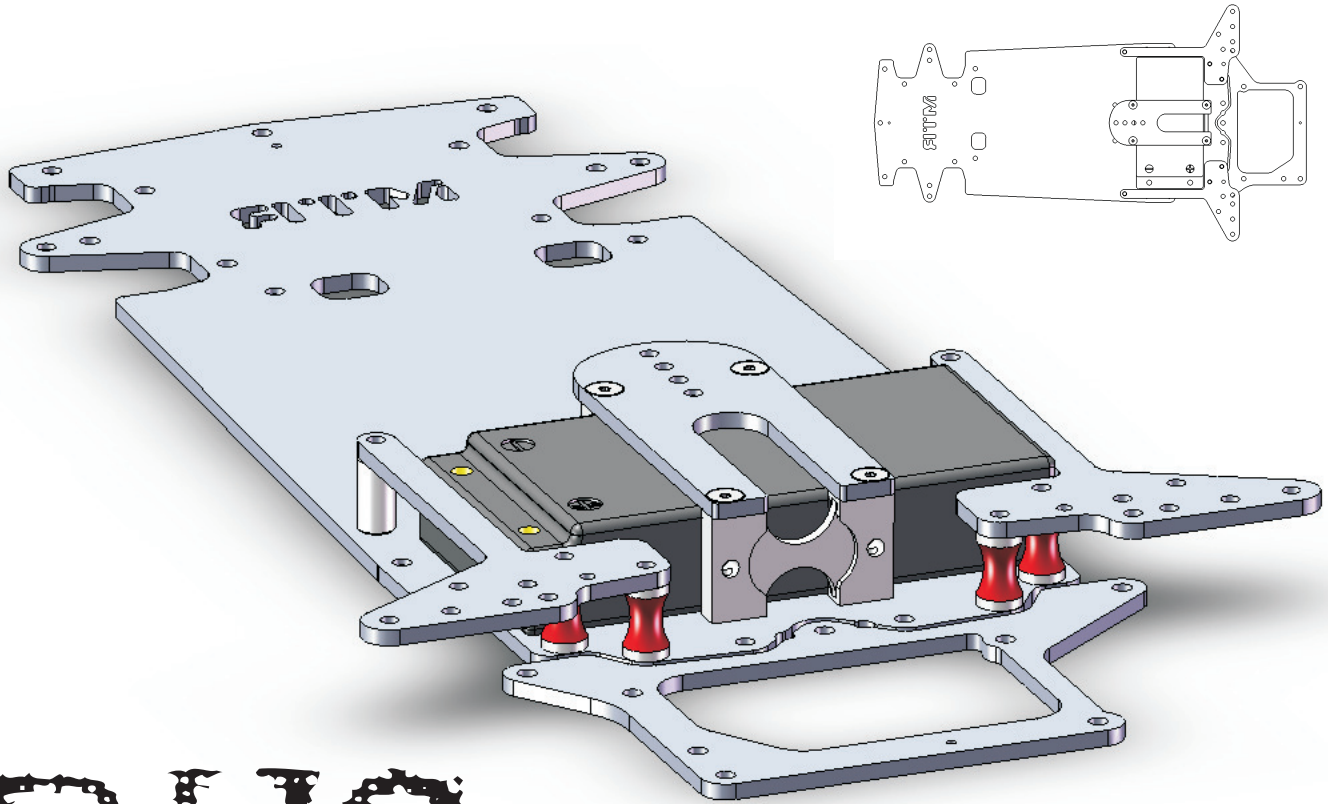


MANU'TECH RACING

presents

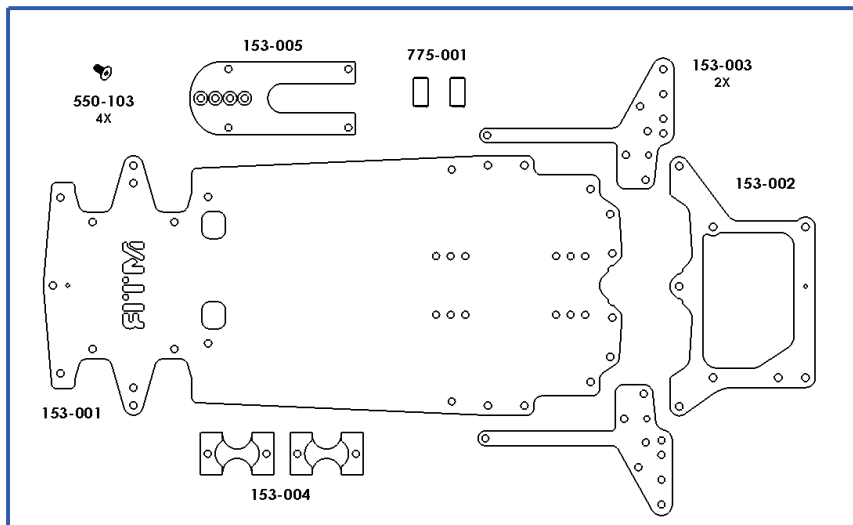


RUG

genx10 conversion kit

runner

153-000 kit - includes



relocates the battery to the extreme rear for optimal weight transfer

maintains original body posts positions

large electronic area for balance tuning

quasi-isotropic carbon panels used for balanced longitudinal and torsional stiffness

uses existing kit hardware

www.MANU'TECHRACING.COM